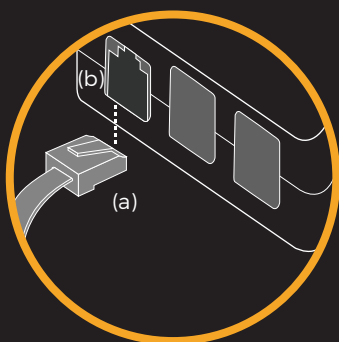




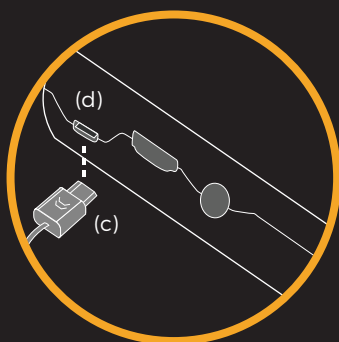
NODENET INSTALLATION GUIDE

Thank you for purchasing the NodeNet **Box**, a revolutionary new way to earn income from your internet connection.

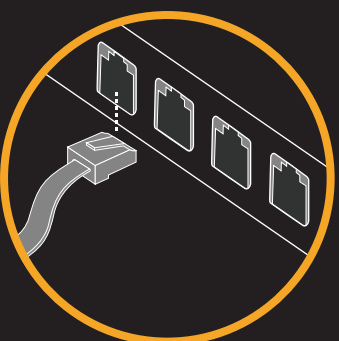
Installation is quick and easy, just follow the next steps and you'll be set up to earn monthly income from your **Node**!



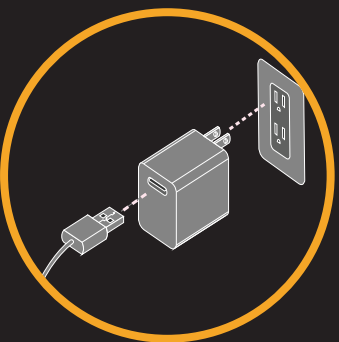
1. Plug the ethernet cable (a) into the ethernet slot to the right (b).



2. Plug the opposite end of the USB cable (c) into the left most slot (d).



3. Plug the other side of the ethernet cord into your router.



4. Plug the power block into a wall socket.
5. Plug the USB connector into the power block.

That's it! You are now ready to earn. If you have any troubles with the set up, please feel free to contact us at www.node.net

